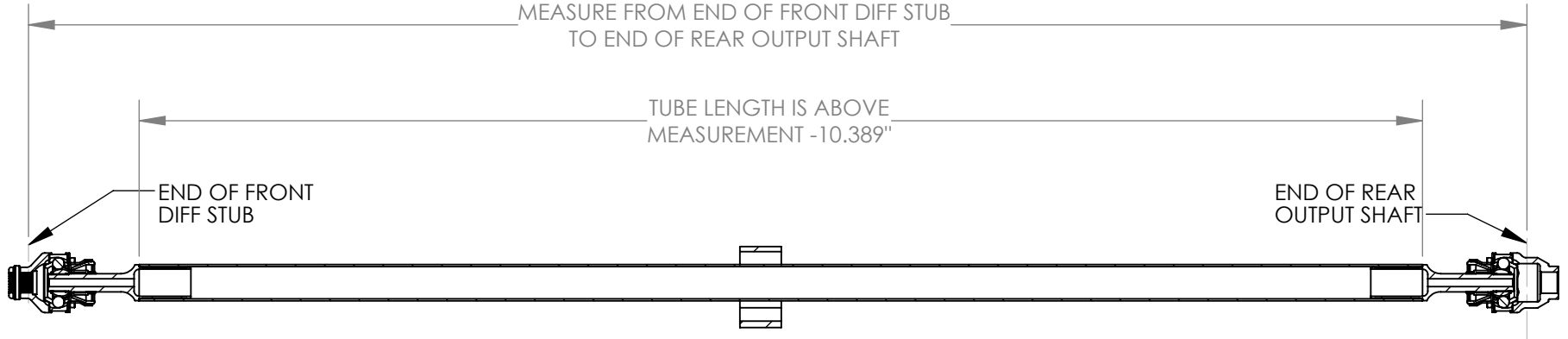


WITHOUT FIRST GETTING WRITTEN PERMISSION OF ROCKFORD ACROMATIC PRODUCTS CO.

ACROMATIC PRODUCTS CO. IT IS SUPPLIED TO YOU WITH CONFIDENTIAL INFORMATION AND



PACKAGE	<input type="checkbox"/>	UNLESS OTHERWISE SPECIFIED:	NAME	DATE
LASER MARK	<input type="checkbox"/>	DATE PRINTED 3/23/2018	DRAWN	JBP
FINISH	<input type="checkbox"/>	DIMENSIONS ARE IN INCHES TOLERANCES: ANGULAR: ± 2 DEGREES TWO PLACE DECIMAL ± .020 THREE PLACE DECIMAL ± .010 125 SURFACE FINISH .010 PERPENDICULARITY .010 CONCENTRICITY CORNER BREAKS .010/.020	REVISED	
POLISH	<input type="checkbox"/>		DWG. NO.	
THREAD ANNEAL	<input type="checkbox"/>		RZR-PST-CF	
STRAIGHTEN	<input type="checkbox"/>		PART NAME	
		HEAT TREATMENT	GROUP	MATERIAL

ITEM NO.	PART NUMBER	DESCRIPTION	QTY.
1	CVJ9392	XP PROP SHAFT HSG	2
2	D9412	XP TURBO PROP CASE FLG	1
3	D10459	CF TUBING TURBO STUB	2
4	†175-CFA-62000		1
5	D8952	XP1000 PROP FLG	1
6	475-10A	BOOT ASSEMBLY - VOLVO 78MM	2
7	D9694	BOOT ADAPTER	2
8	7661913	.33" X 1.625" ROLL PIN	1
9	D10074	GASKET - PROP SHAFT	4
10	MCM-9563K154	FREEZE PLUG 1 1/8"	1
11	MCM-98585A118	EXT SR 7/8" HD	2
12	D8999	SAFETY LOOP	1
13	MCM-91251A462	1/4-28 X .25 SHCS	12
14	MCM-91271A570	1/4-28 X .75 12 PT W PATCH	12

